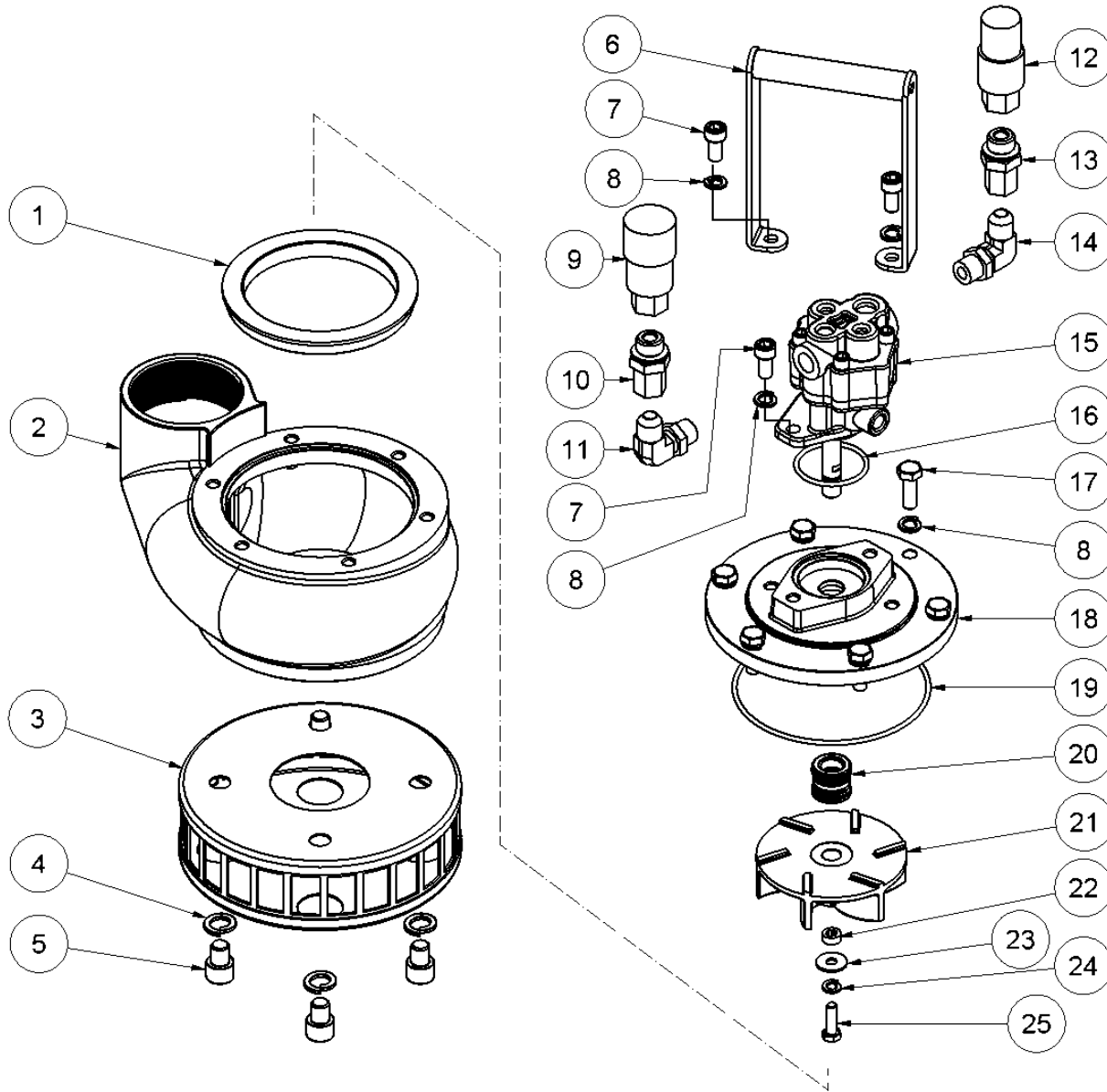


Submersible Pump HWP3 spare parts list

From Serial No. 6364

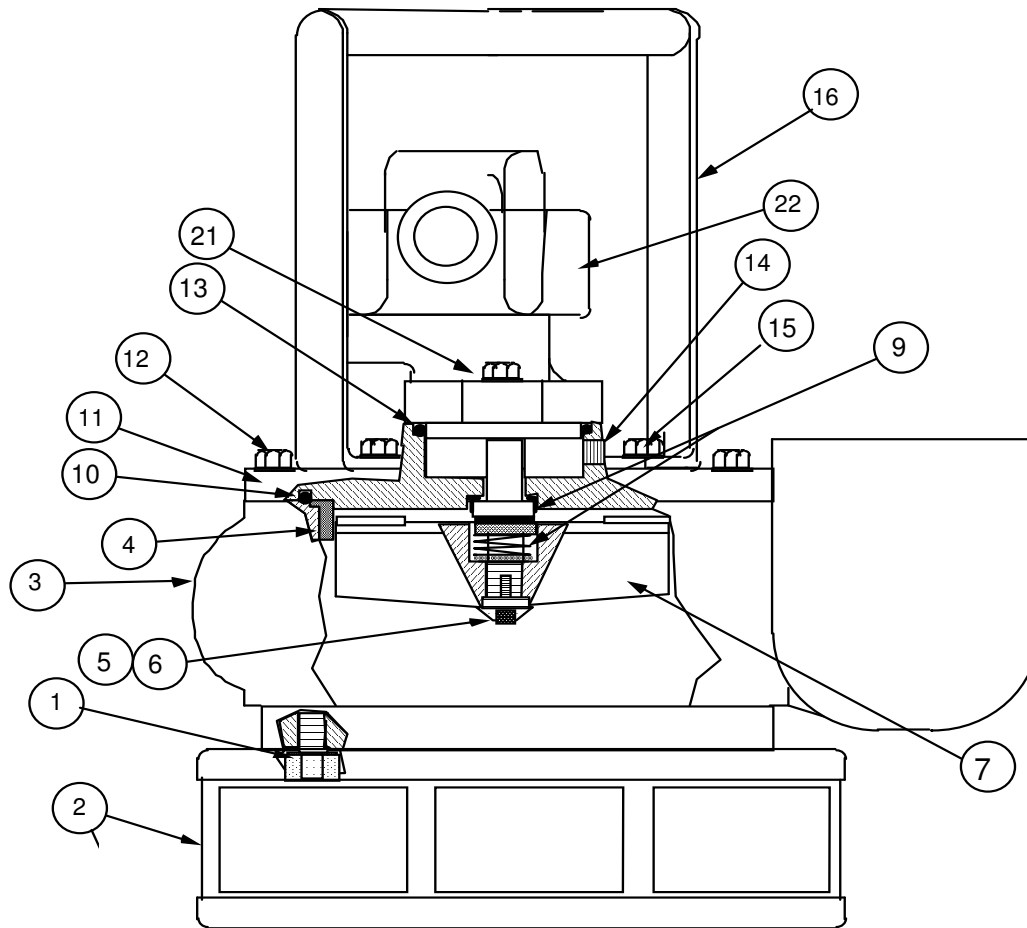


Pos.	Part No.	Description	Pcs.
1	9931529	Wear ring	1
2	8232701	Volute 3", aluminium	1
3	9931527	Strainer	1
4	7632624	Lock washer M14	4
5	7632623	Screw M14x16 60 Nm	4
6	9931542	Handle	1
7	7632631	Screw M10x20 36 Nm	4
8	7632630	Lock washer M10	10
9	7401142	Q.R. coupling 1/2" BSP female	1
10	7431168	Straight fitting	1
11	7431167	Elbow fitting	1
12	7401141	Q.R. coupling 1/2" BSP male	1
13	7431185	Straight fitting	1
14	7431184	Elbow fitting	1
15	9931545	Hydraulic motor	1
16	9931538	O-ring f/motor	1
17	7632629	Screw M10x30 40 Nm	6
18	8232628	Top cover 3", aluminium	1
19	9931534	O-ring f/top cover	1
20	9931533	Mechanical seal assembly	1
21	8232627	Impeller 3" <i>Grease on the inside with copper paste</i>	1
22	8232632	Lock screw f/impeller 30 Nm	1
23	7632626	Washer M8	1
24	7632618	Lock washer M8	1
25	7632625	Screw UNC 5/16x1" 25 Nm	1
-	9931546	Seal kit motor	1
-	9931547	Seal motor shaft	1

Submersible Pump HWP3 spare parts list

From Serial No. 0100

Fig. 2



Pos.	Part No.	Description	Pcs.
1	9931525	Bolt	4
1	9931526	Lock washer	4
2	9931527	Strainer	1
3	9931528	Volute, aluminium	1
4	9931529	Wear ring	1
5	9931530	Impeller screw	1
6	9931531	Cone washer	1
7	9931532	Impeller	1
9	9931533	Mechanical seal assembly	1
10	9931534	O-ring f/top cover	1
11	9931535	Top cover, aluminium	1
12	9931536	Bolt	6
12	9931544	Lock washer	6
13	9931538	O-ring f/motor	1
14	9931539	Distance pin	1
15	9931540	Bolt	2
15	9931541	Lock washer	2
16	9931542	Handle	1
21	9931543	Bolt	2
21	9931544	Lock washer	2
22	9931545	Hydraulic motor	1
-	7431184	Elbow fitting	1
-	7431185	Straight fitting	1
-	7431167	Elbow fitting	1
-	7431168	Straight fitting	1
-	7521072	Seal ring 1/2"	2
-	7401141	Q.R. coupling 1/2" BSP male	1
-	7401142	Q.R. coupling 1/2" BSP female	1
-	9931546	Seal kit motor	1
-	9931547	Seal motor shaft	1