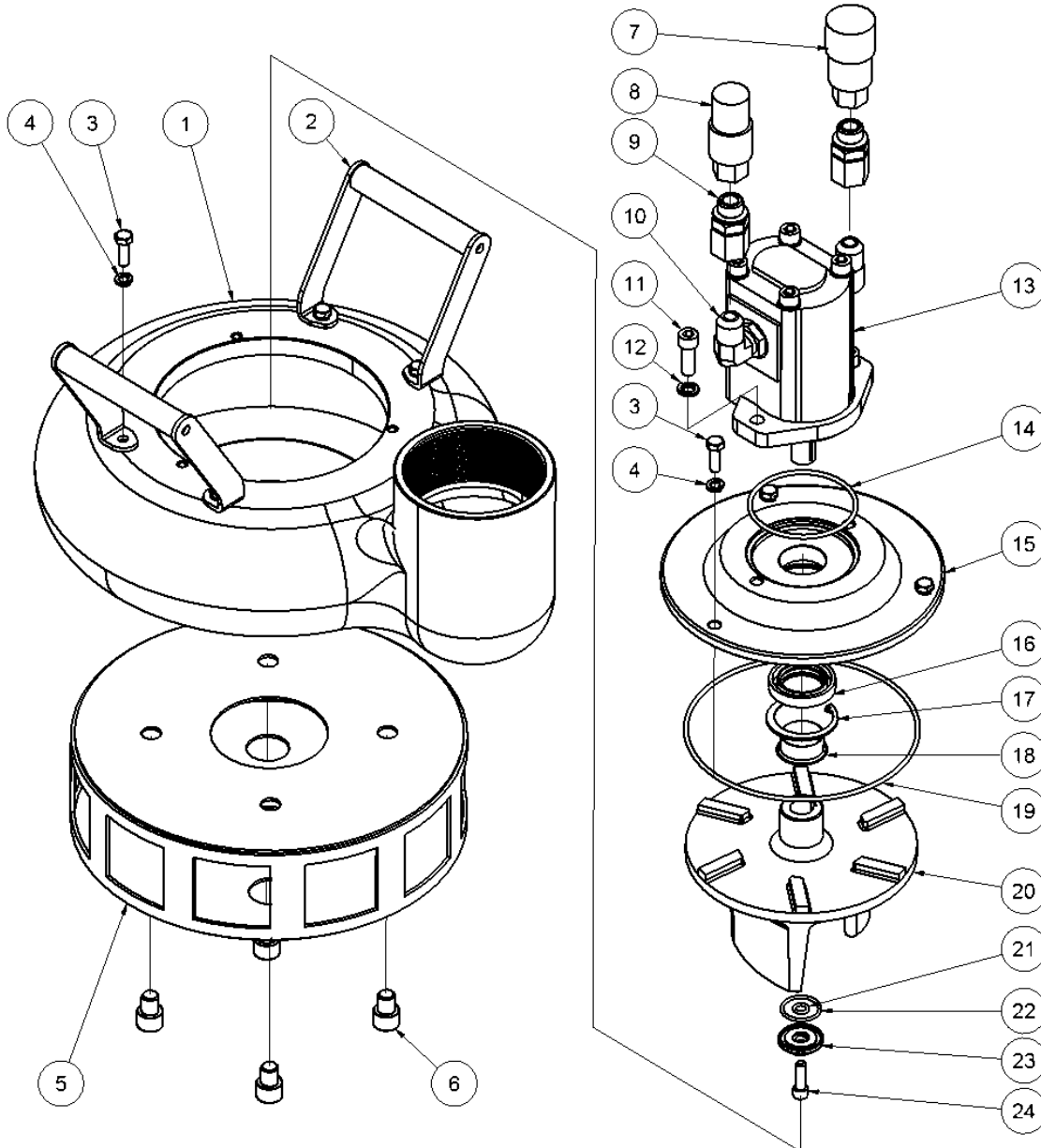


Submersible Pump HWP4 spare parts list

From Serial No. 6597

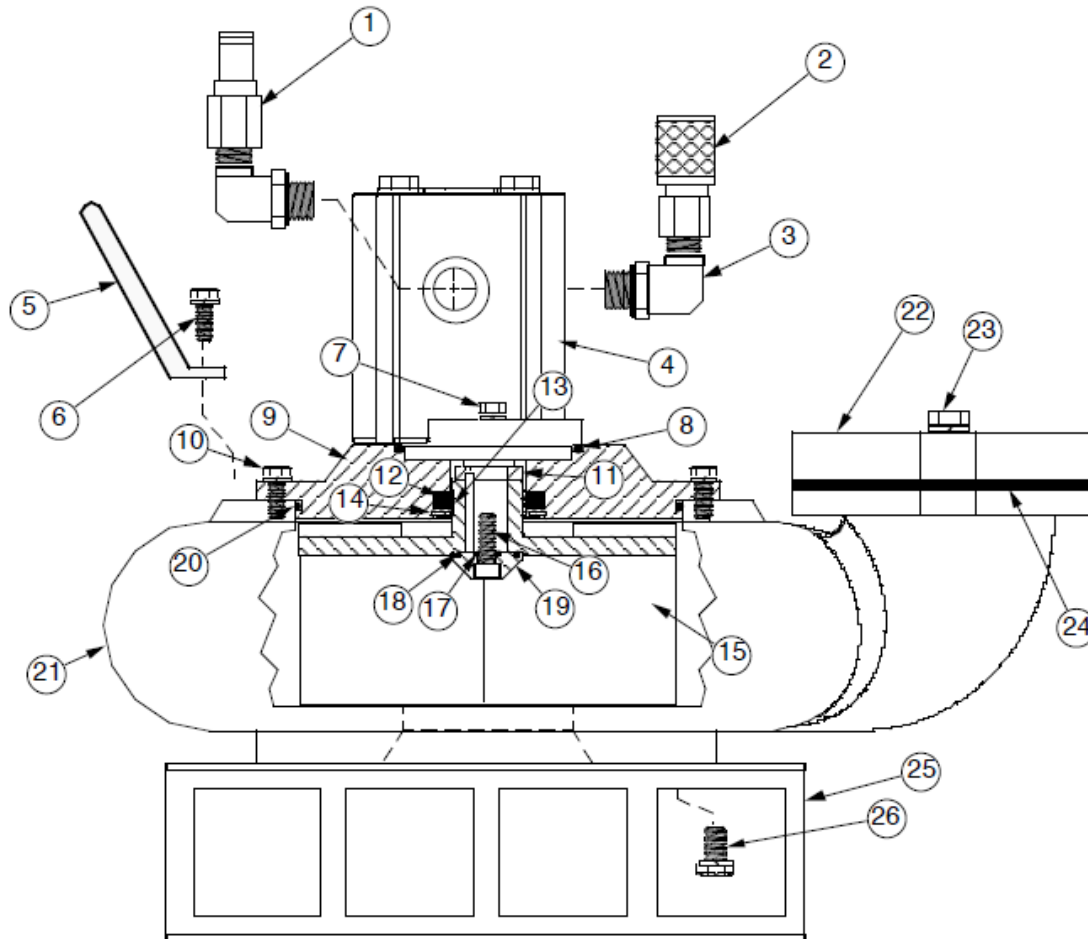


Pos.	Part No.	Description	Pcs.
1	8232714	Volute 4", aluminium	1
2	9932438	Handle	2
3	7632617	Screw M8x25 25 Nm	7
4	7632618	Lock washer M8	7
5	9932456	Strainer	1
6	7632623	Screw M14x16 60 Nm	4
7	7401142	Q.R. coupling 1/2" BSP female	1
8	7401141	Q.R. coupling 1/2" BSP male	1
9	7431185	Straight fitting	2
10	7431184	Elbow fitting	2
11	7632712	Screw M10x30 30 Nm	2
12	7632630	Lock washer M10	2
13	9932437	Hydraulic motor	1
14	9932439	O-ring f/motor	1
15	8232713	Top cover 4", aluminium	1
16	9932442	Shaft seal	1
17	9932444	Retaining ring	1
18	9932443	Seal sleeve <i>Should be changed when changing shaft seal</i>	1
19	9932450	O-ring f/top cover	1
20	9932445	Impeller	1
21	9932447	O-ring ø8.5x2.5	1
22	7531444	O-ring 28x2.5	1
23	9932449	Retaining washer	1
24	9932446	Screw UNC 5/16"x1" 30 Nm	1
-	9932457	Seal kit motor	1

Submersible Pump HWP4 spare parts list

From Serial No. 0100

Fig. 3



Pos.	Part No.	Description	Pcs.
1	7401141	Q.R. coupling 1/2" BSP male	1
2	7401142	Q.R. coupling 1/2" BSP female	1
3	7431184	Elbow fitting	2
3	7431185	Straight fitting	2
4	9932437	Hydraulic motor	1
5	9932438	Handle	2
6	9931540	Bolt	4
6	9931544	Lock washer	4
7	9931536	Bolt	2
7	9931544	Lock washer	2
8	9932439	O-ring f/motor	1
9	9932440	Top cover, aluminium	1
10	9931543	Bolt	3
10	9931544	Lock washer	3
11	9932441	Spacer	1
12	9932442	Shaft seal	1
13	9932443	Seal sleeve	1
14	9932444	Retaining ring	1
15	9932445	Impeller	1
16	9932446	Locking screw	1
17	9932447	O-ring f/retaining washer, inner	1
18	9932448	O-ring f/retaining washer, outer	1
19	9932449	Retaining washer	1
20	9932450	O-ring f/top cover	1
21	9932451	Volute, aluminium	1
22	9932452	Discharge flange	1
23	9932453	Bolt	2
23	9932454	Lock washer	2
24	9932455	Gasket f/discharge flange	1
25	9932456	Strainer	1
26	9931525	Bolt	4
26	9931526	Lock washer	4
-	9932457	Seal kit motor	1
-	9932458	Seal kit (Pos. 8, 12, 13, 17, 18, 20 and 24)	1